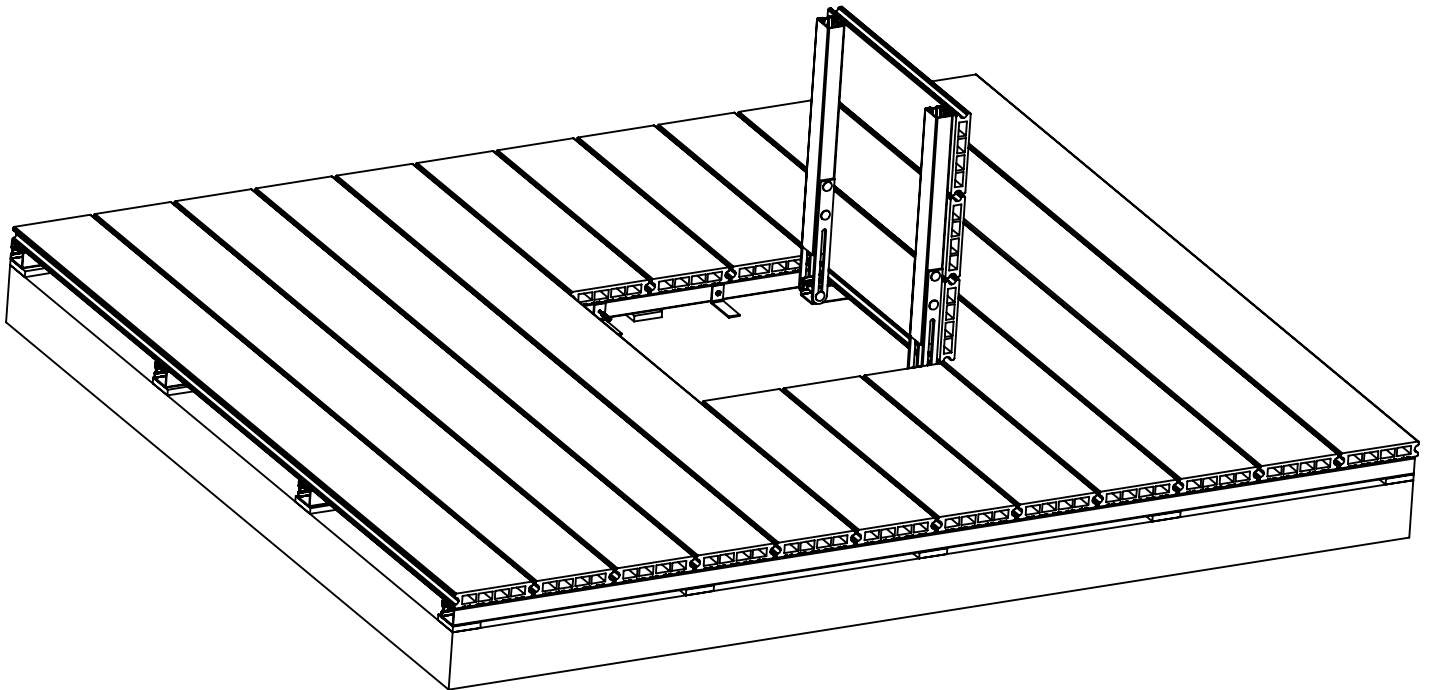
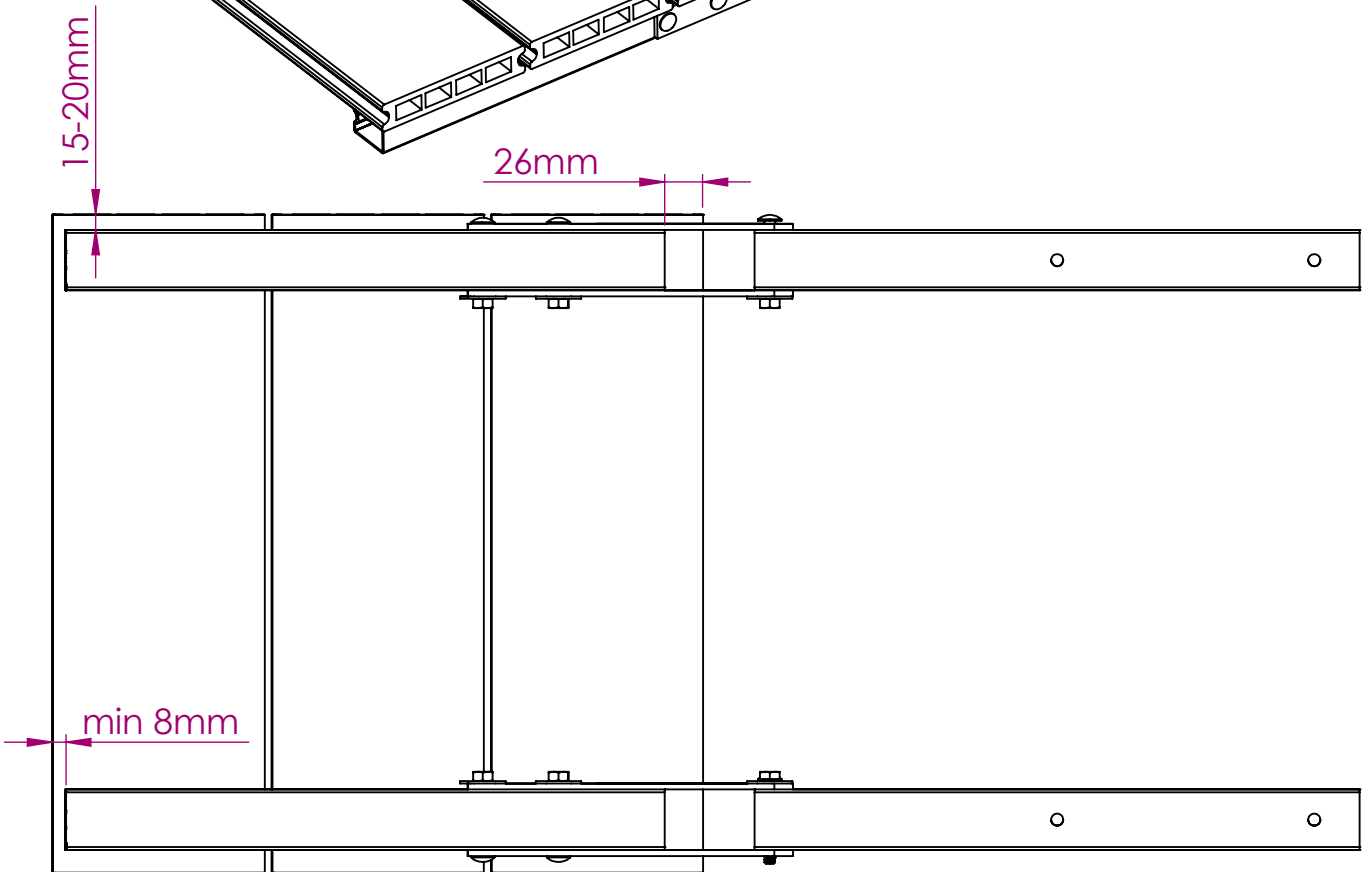
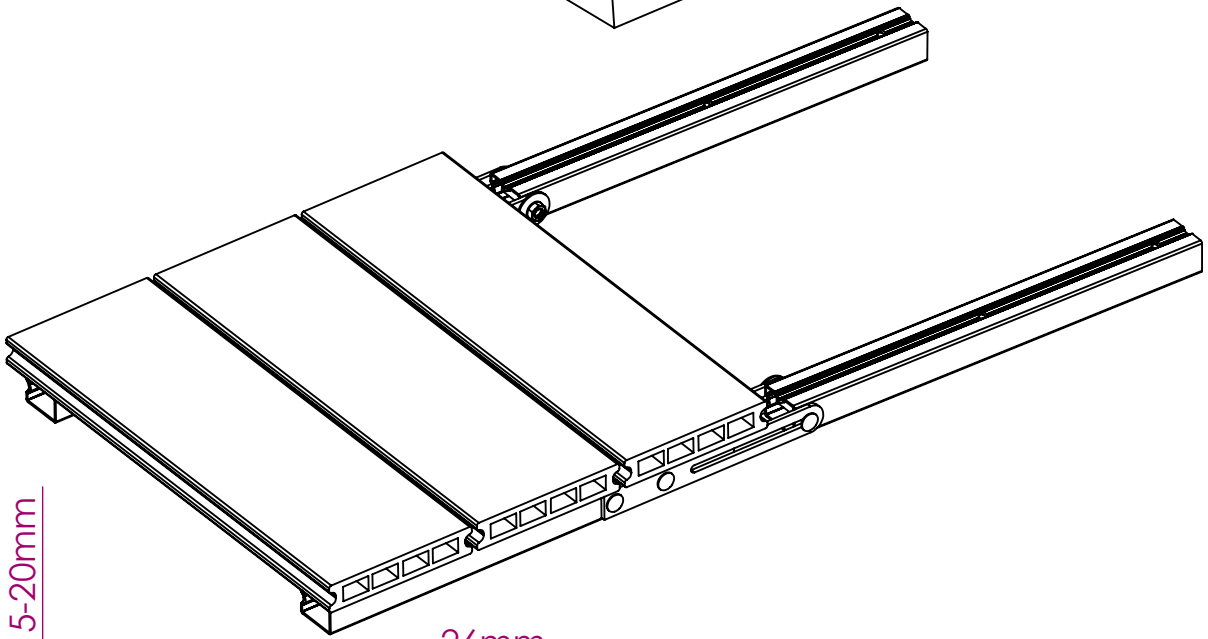
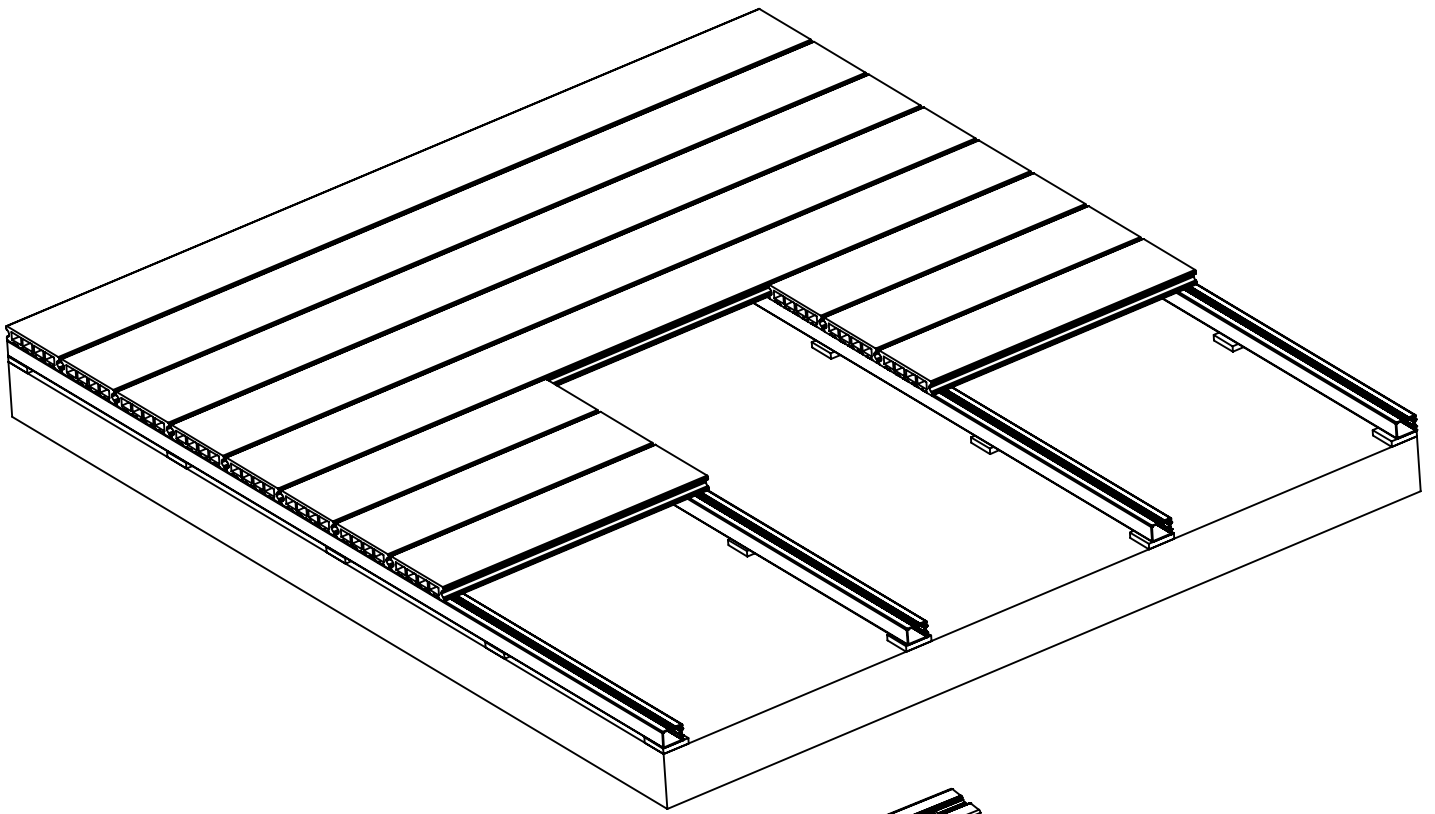
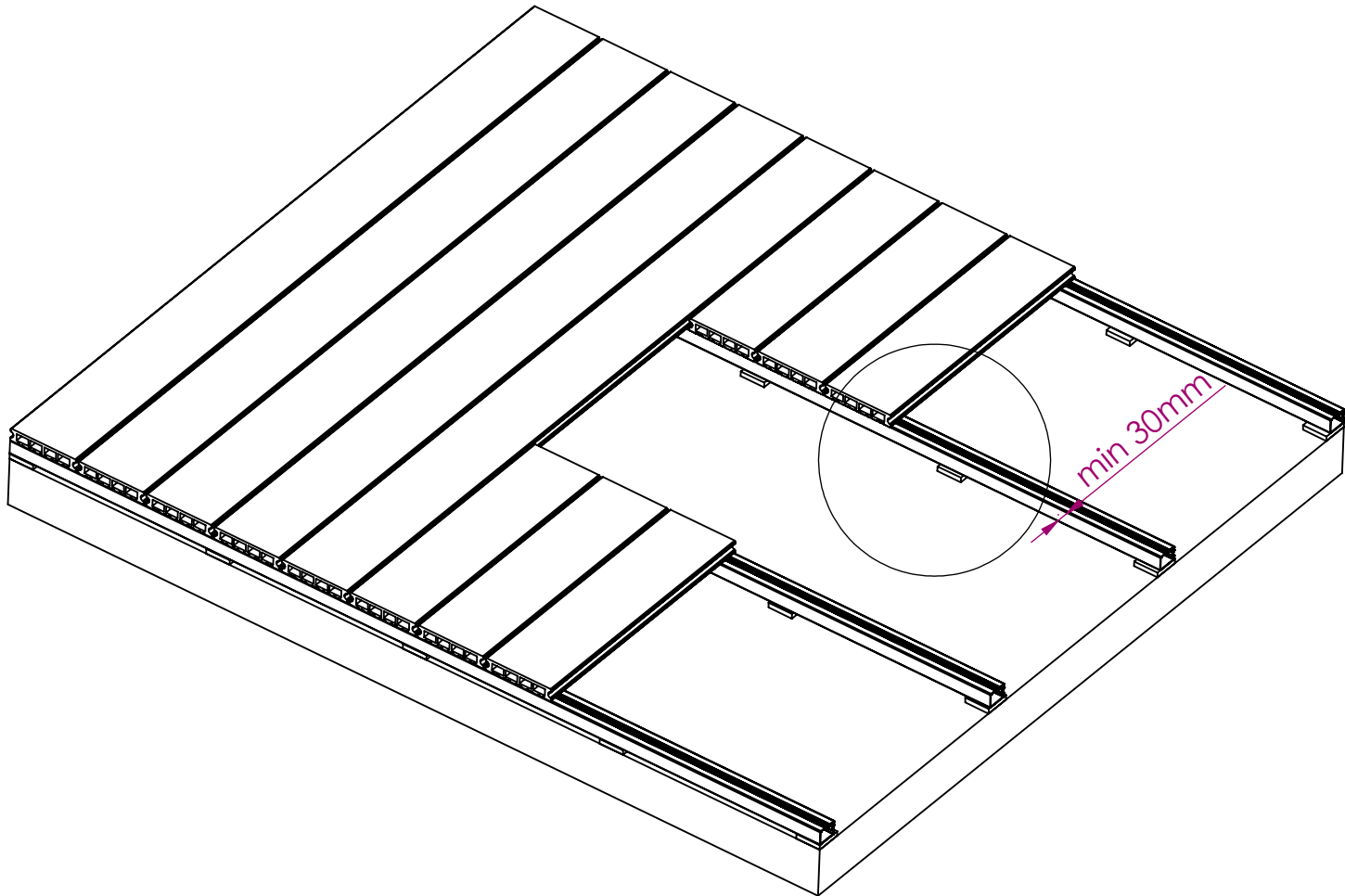


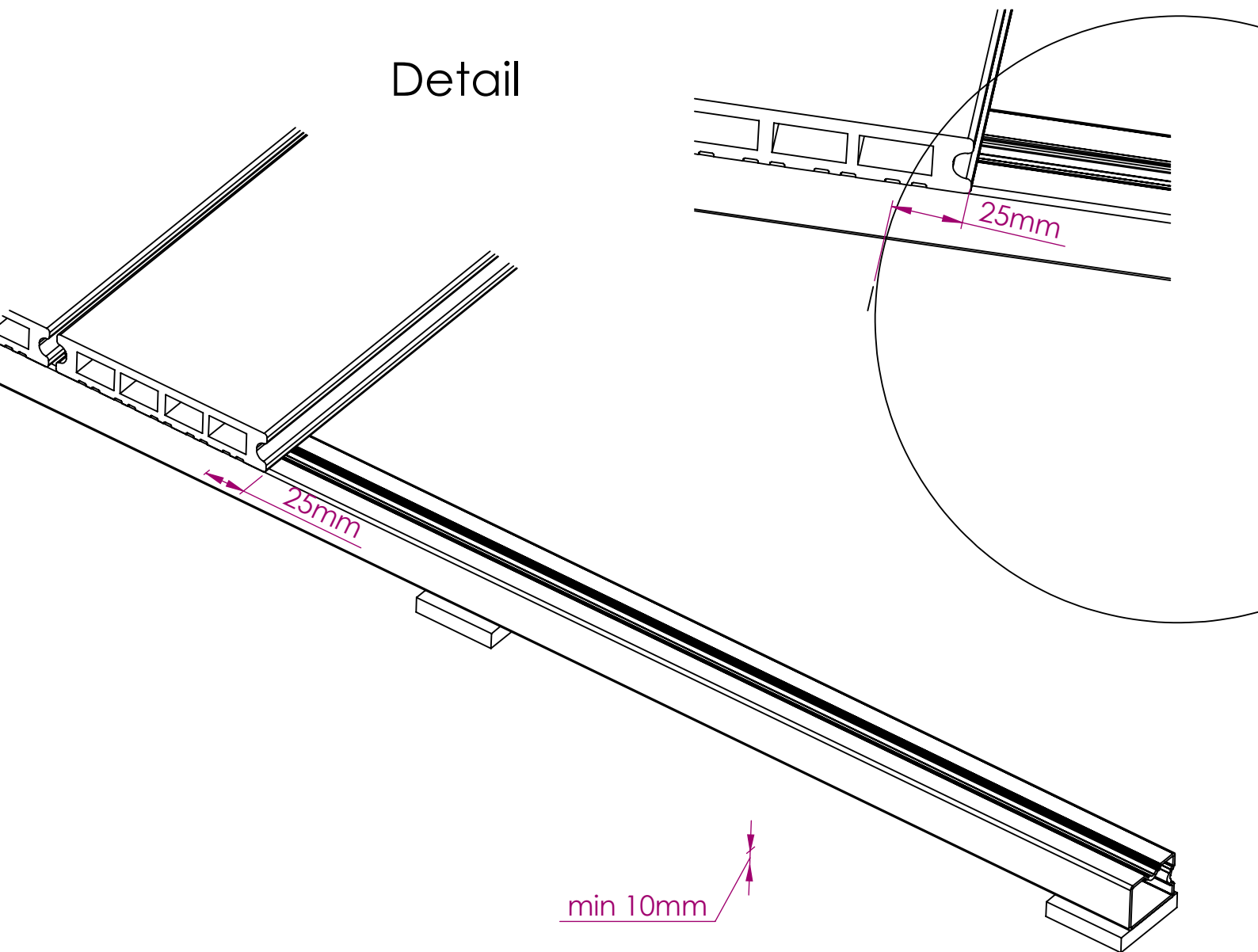
# Access hole Installation

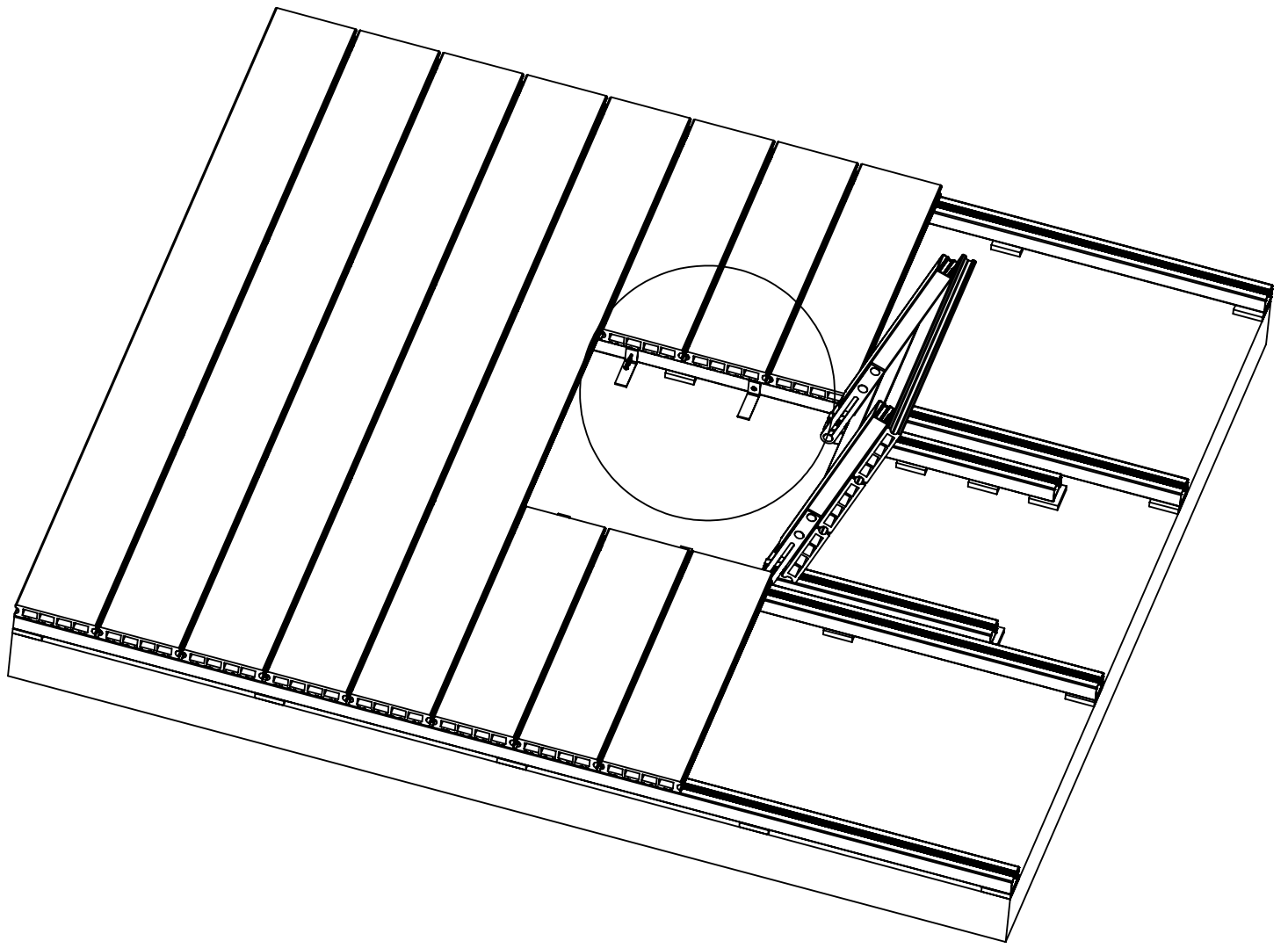






Detail





Detail

